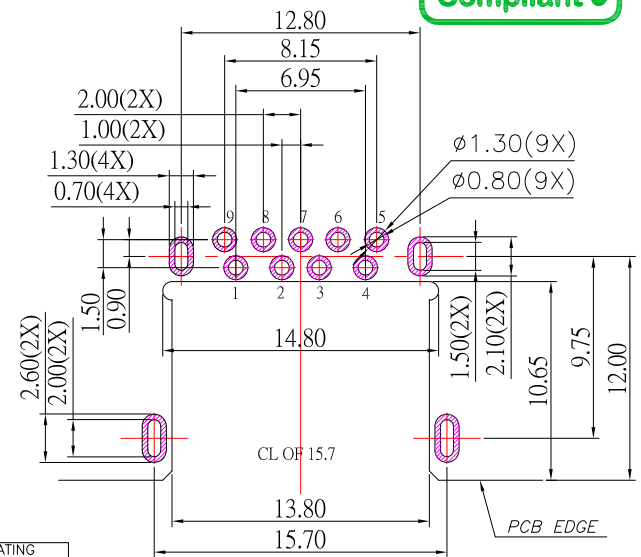
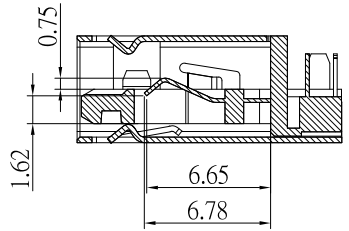
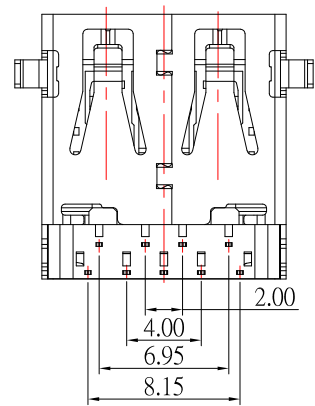
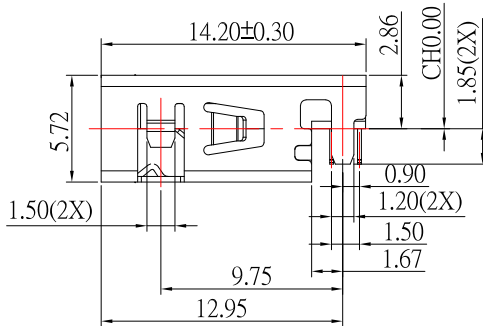
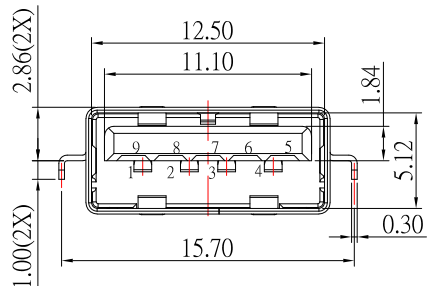
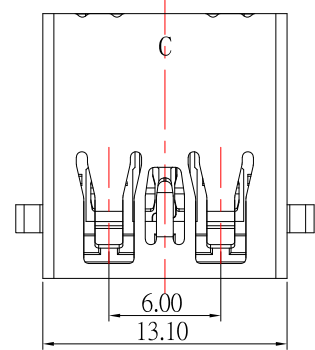




SUA-110E22-30x-S277

鍍層厚度 :

Blank : 1u"
2 : 15u"
3 : 30u"



PCB LAYOUT

USB 3.0 PIN ASSIGNMENTS

Pin #	SIGNAL NAME	DESCRIPTION	MATING SEQUENCE
1	VBUS	POWER	SECOND
2	D-	USB 2.0 DIFFERENTIAL PAIR	THIRD
3	D+		
4	GND	GROUND FOR POWER RETURN	SECOND
5	StdA_SSRX-	SUPERSPEED RECEIVER DIFFERENTIAL PAIR	LAST
6	StdA_SSRX+		
7	GND_DRAIN	GROUND FOR SIGNAL RETURN	
8	StdA_SSTX-	SUPERSPEED TRANSMITTER DIFFERENTIAL PAIR	
9	StdA_SSTX+		
Shell	Shield	CONNECTOR METAL SHELL	FRIST

NOTE:

1.MATERIAL:

- 1.1 Housing: PA9T
- 1.2 Contact: Phosphor Bronze
- 1.3 Shell: SUS

2.Finish:

- 2.1 Contact: Plated Gold in Mating Area ;
Tin Plated on Solder Balls ;
Nickel under plated overall
- 2.2 Shell: Nickel under Plated surface layer

3.SPECIFICATION:

- 3.1 Rate: 30V DC , 1.8 A
- 3.2 insulator Resistance:100MΩ Min
- 3.3 Dielectric Strength: 100V AC
- 3.4 Contact Resistance: 30mΩ Max
- 3.5 Operation Temperature: -25°C ~ +85°C
- 3.6 Insertion Force: 35 N Max
- 3.7 Extraction Force: 10 N Min



DRAWN BY:	DATE	MATL	TITLE	CONNECTOR	
Jack Lu	09/18/24				
CHECKED BY:	DATE	FINISH	MODLE	USB AF 3.0無捲邊 DIP 沉板, 板上H2.86mm	
Jacky Chen	09/18/24				
APPROVED BY:	DATE	SCALE	DWG NO.	SUA-110E22-30x-S277	
Tony Kao	09/18/24				
		SHEET NO.	1 of 1	PART NO.	SUA-110E22-30x-S277
				SIZE	A4
				VER	R

TOLERANCE UNLESS OTHERWISE STATED :	Up to 5 ±0.2	3RD. ANGEL'S	UNITS	MM
	Above 5 ~ 15 ±0.3			
	Above 15 ~ 30 ±0.4			
	Above 30 ~ 50 ±0.5			
	Angle ±0.3			

ITEM NO.	DESCRIPTION	DRAWN	DATE